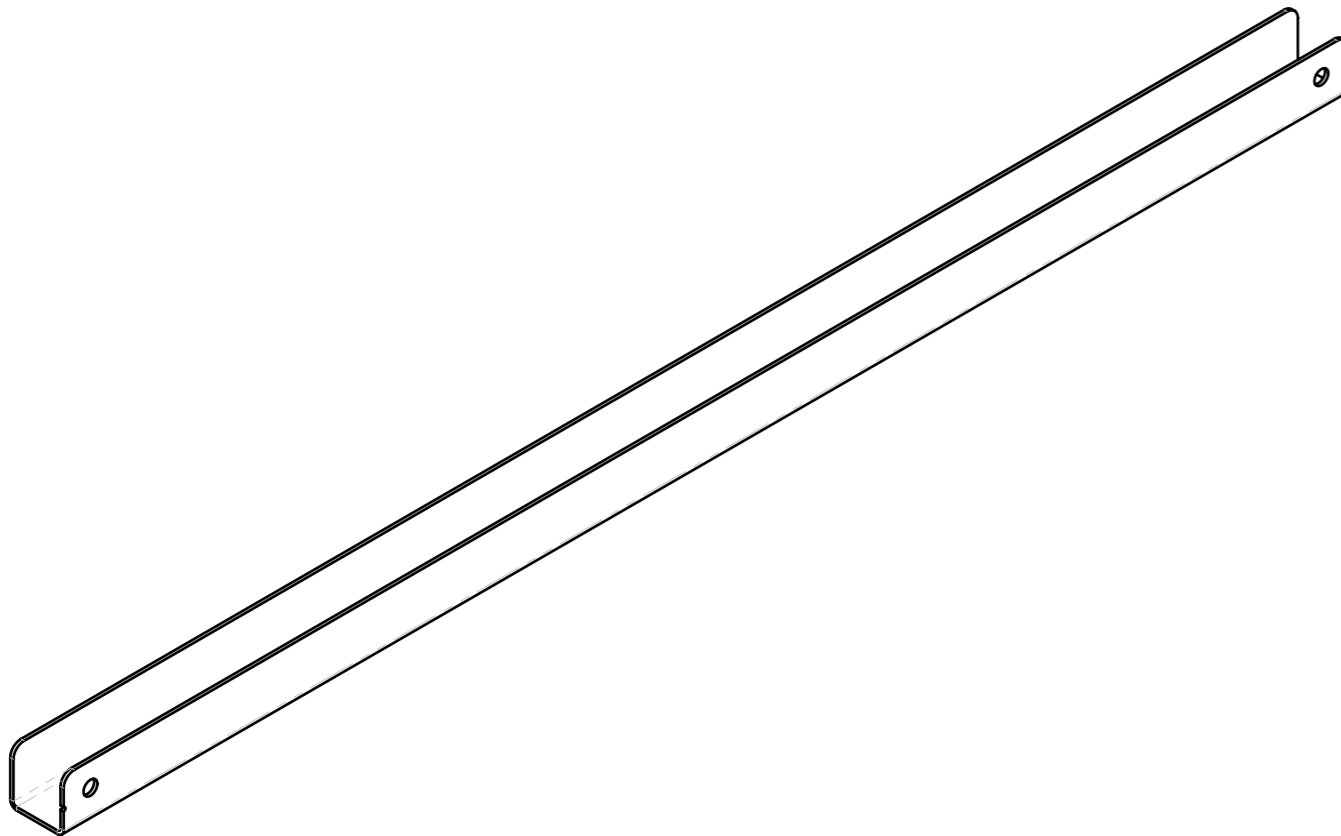
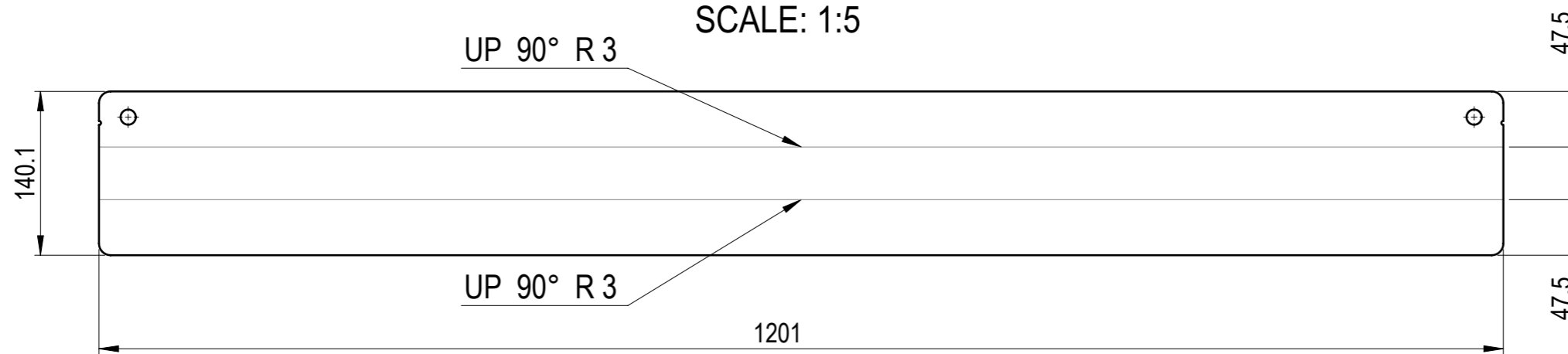


Flat Pattern view
SCALE: 1:5



Other dimensions from DXF file

SHEET METAL INFORMATION	
Length, mm	1201
Width, mm	140.1
Thickness, mm	3
Inside Bend Radius, mm	3
K-Factor	0.5
No. of Bends	2

	MATERIAL	WEIGHT	DEBURR AND BREAK SHARP EDGES		REVISION	DATE
	DX51D+Z275	3.930 Kg	DO NOT SCALE DRAWING			6/4/2025
	SURFACE PROTECTION	MACHINING	THERMAL CUTTING	WELDING	SCALE	FORMAT
	HDG + G3.02 EN ISO 12944	ISO 2768 mK	ISO 9013 221	ISO 13920 BF	1:2	A3
	NAME	SIGNATURE	PART NO.			
Designed by	D. Dislers		105-09100-75			
Drawn by	D. Dislers		DESCRIPTION			
Technical ref.			U-Profile 1			SHEET 1/1